

CONFIDENTIAL. THE INFORMATION CONTAINED IN THIS DOCUMENT IS THE PROPERTY OF COOPER INDUSTRIES, INC. IT IS NOT FOR PUBLIC DISCLOSURE. POSSESSION OF THE INFORMATION DOES NOT CONVEY ANY RIGHT TO LOAN, SELL OR DISCLOSE THE INFORMATION. UNAUTHORIZED REPRODUCTION OR USE OF THE INFORMATION IS PROHIBITED. THIS DOCUMENT IS TO BE RETURNED TO COOPER INDUSTRIES, INC. UPON COMPLETION OF THE PURPOSE FOR WHICH IT IS LOANED OR UPON REQUEST.

COPYRIGHT Cooper Industries, Inc. This is an unpublished work. The disclosure of this work is limited to select personnel. Further dissemination or disclosure to the public is PROHIBITED. This unpublished work is protected by Federal Copyright law and all rights thereunder are reserved by Cooper Industries, Inc.

SCALE
1x


UNLESS OTHERWISE SPECIFIED TOLERANCES TO BE:
METRIC $\pm .13\text{mm}$
INCHES $\pm .005''$
ANGULAR $\pm 2^\circ$

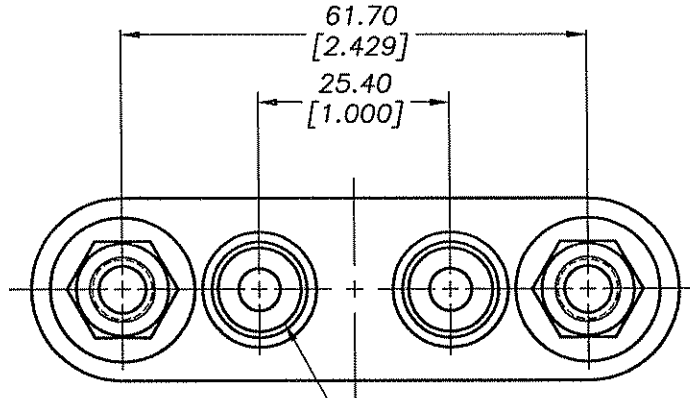
THIRD ANGLE PROJECTION
INDICATES CRITICAL DIMENSION OR FEATURE



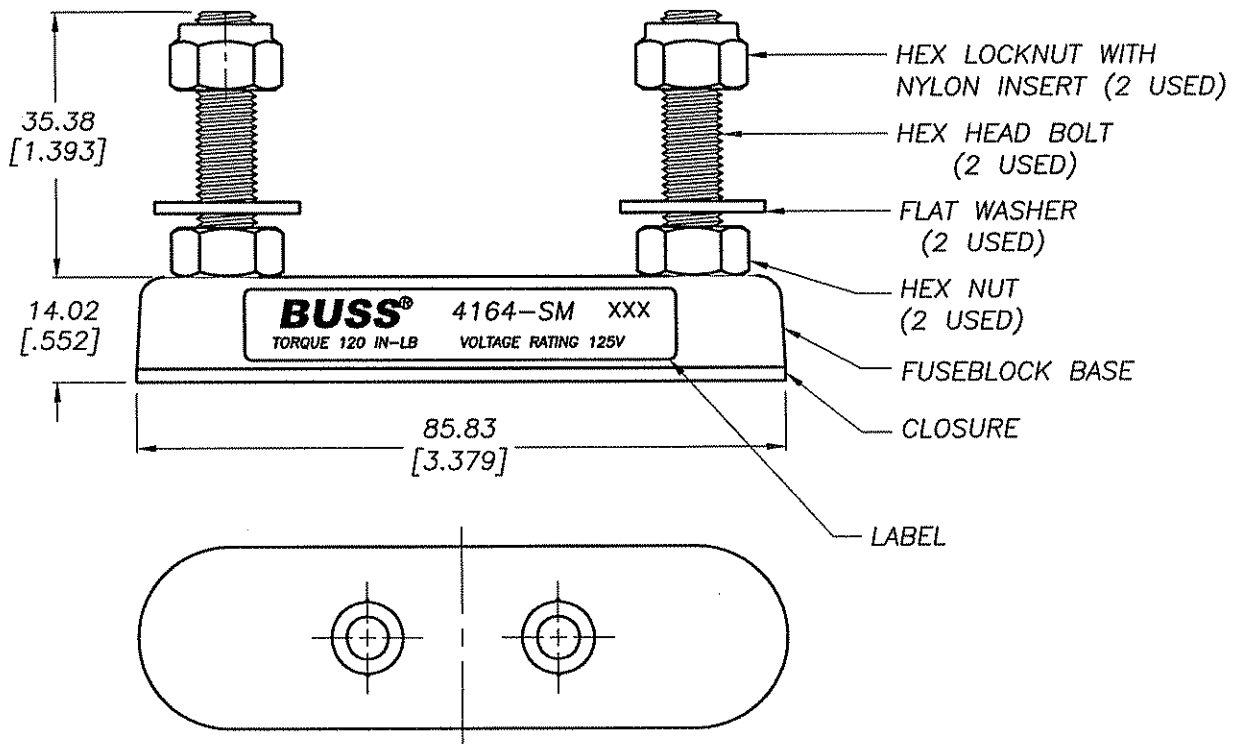
INCHES (OR U.S. UNITS) IS THE PRIMARY UNIT OF MEASURE

METRIC(mm)
[INCHES]

DATE	NO.	
1-2-04	4164-SM	
TITLE		
FUSEBLOCK		
SUP. NO.	DATED	
4164-SM	4-28-03	
DWG.	CK.	REV.
DAG		C
PAGE 1 OF 2		N03069
		
St. Louis, MO 63178		
C/F NO.	DISTRIBUTION	
55842		56 J



11.10 DIA. x 82° COUNTERSINK
[.437]
AND 5.59 DIA. THRU HOLE (2 PLACES)
[.220]



NOTE: ALL HARDWARE IS METRIC, SIZE M8, ZINC PLATED STEEL.