

4

3

2

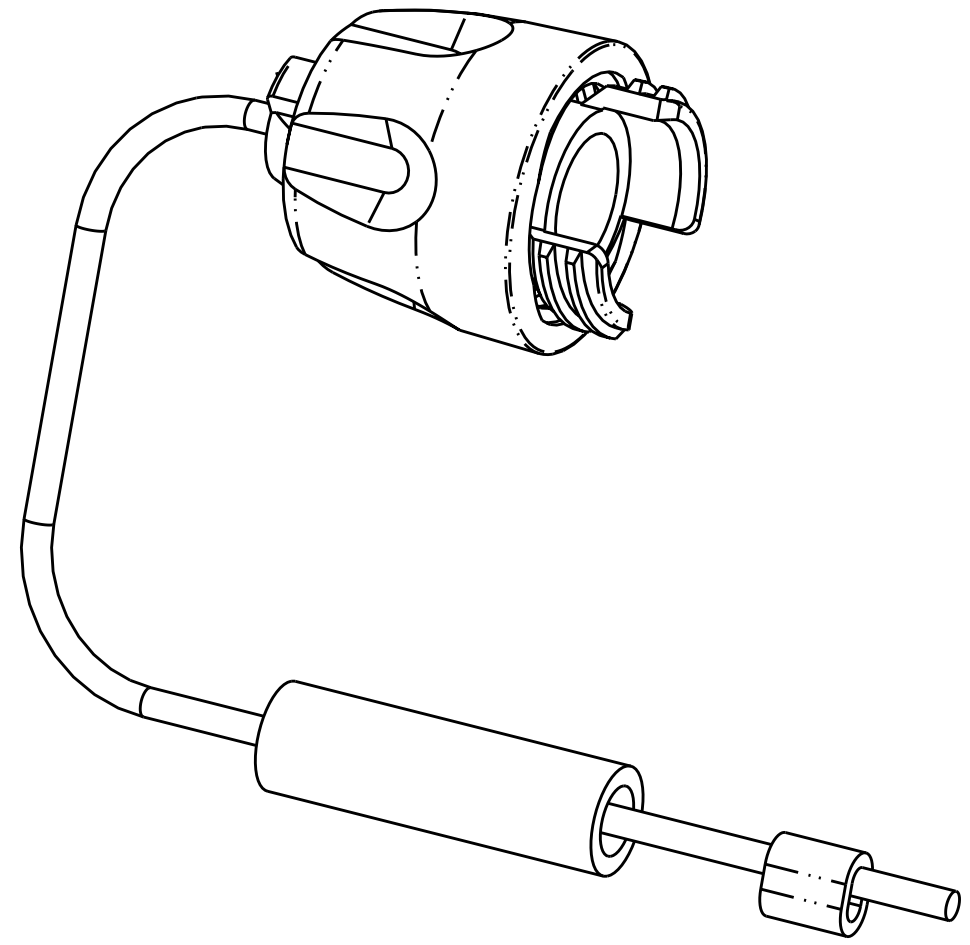
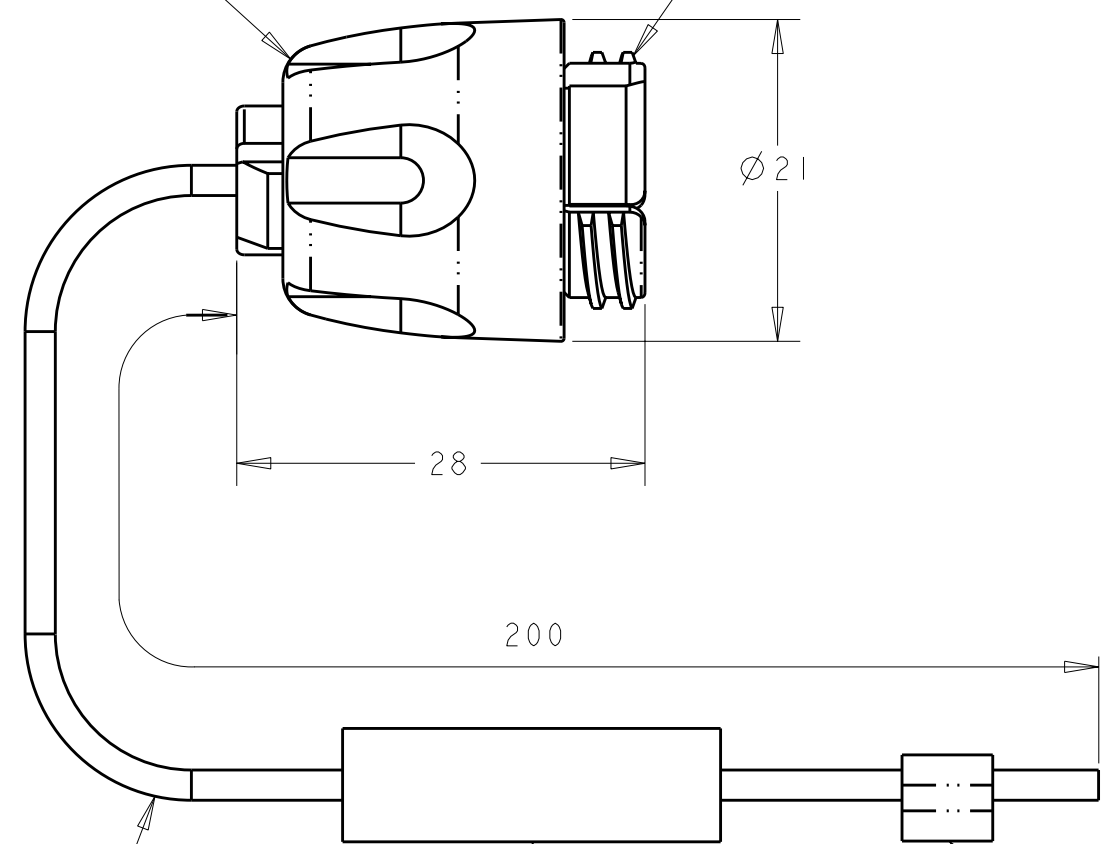
1

THIS DRAWING IS UNPUBLISHED. RELEASED FOR PUBLICATION 20  
 © COPYRIGHT 20 BY TYCO ELECTRONICS CORPORATION. ALL RIGHTS RESERVED.

LOC	DIST	REVISIONS				
P	LTR	DESCRIPTION	DATE	DWN	APVD	
CE	16	I	PPR 05-605	16JUN05	KG DW	
		A	ECR-08-023519	17SEP2008	KG DW	

CAP GRIP  
MAT'L: THERMOPLASTIC

CAP BODY  
MAT'L: THERMOPLASTIC



TETHER  
MAT'L: PLASTICOATED  
STEEL WIRE

SHRINK TUBE  
MAT'L: POLYOLEFIN

CRIMP SLEEVE  
MAT'L: ALUMINIM ALLOY

1. ALL DIMENSIONS ARE FOR REFERENCE ONLY.  
 2 TO BE COMPLETED BY END USER DURING CONNECTOR ASSEMBLY.

1828624-1  
 PART NUMBER

<small>THIS DRAWING IS A CONTROLLED DOCUMENT FOR TYCO ELECTRONICS CORPORATION          IT IS SUBJECT TO CHANGE AND THE CONTROLLING ENGINEERING ORGANIZATION          SHOULD BE CONTACTED FOR THE LATEST REVISION.</small>		DWN 13JUN2005 K. GLATFELTER CHK 14JUN2005 D. WERTMAN APVD 16JUN2005 D. WERTMAN		Tyco Electronics Harrisburg, PA 17105-3608	
DIMENSIONS: mm		TOLERANCES UNLESS OTHERWISE SPECIFIED: 0 PLC ±. 1 PLC ±. 2 PLC ±. 3 PLC ±. 4 PLC ±. ANGLES ±.		NAME PROTECTIVE CAP ASS'Y, PLUG PRO BEAM MINI	
MATERIAL -		FINISH -		PRODUCT SPEC - APPLICATION SPEC - WEIGHT -	
		CUSTOMER DRAWING		SIZE A3 CAGE CODE 00779 DRAWING NO C-1828624 RESTRICTED TO -	
		SCALE NTS		SHEET 1 OF 1 REV A	