



Handle Series FG13-LH

Functional handle with a handle ledge illuminatable over a large area. The LED colours red, yellow and green can be used to display the current operating status of the machine for example.

Material and surface:

Handle shanks made of glass ball blasted aluminium (AlMgSi 0.5). Anodized in black.
 Handle ledge made of extruded hollow aluminium section AlMgSi 0.5; glass ball blasted and anodized in natural colour.
 Illuminatable plastic insert made of extruded, translucent PMMA.

Design features:

Pleasant feel thanks to the generously rounded handle ledge bottom.

Function elements:

Two push buttons, as NO contacts.
 Type FG13-LH15 additionally with emergency stop (two NC contacts).

Connection A:

12-pole connector in the mounting surface of the handle shank.
 Coupling with 10 m ready-made cable available as accessory.

Connection B:

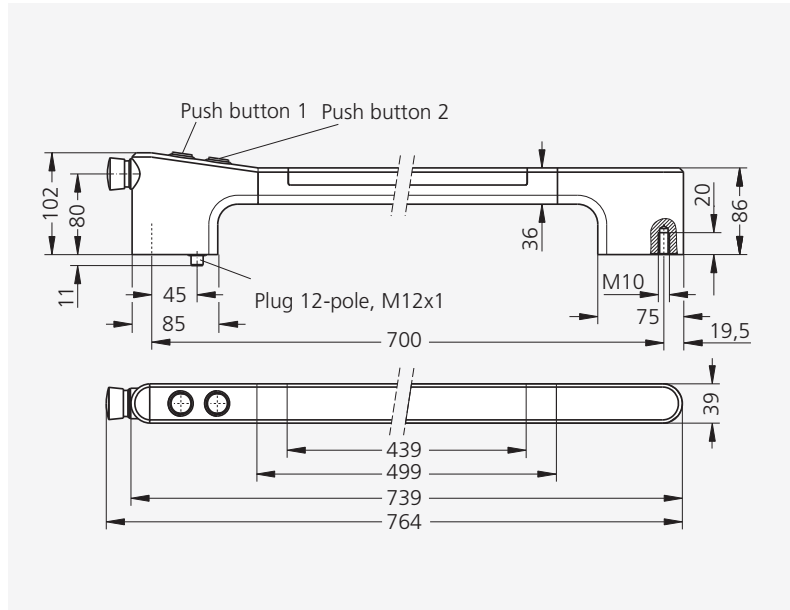
5 m connection cable leading out of the mounting surface of the handle shank.



Protection class:

IP 65 with coupling screwed on.

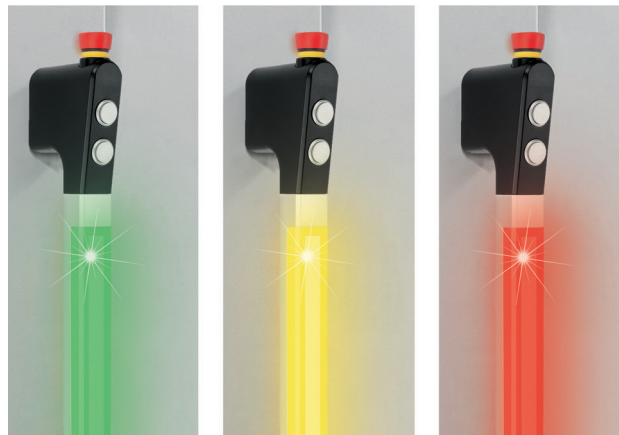
Special designs:

Other handle lengths and switching element assignments, as well as white handle ledge lighting on request.



	FG13-LH12 with 2 push buttons	FG13-LH15
	without emergency stop	with emergency stop
Connection	Order no.	Order no.
A Plug 	FG13-LH12.A700.S11	FG13-LH15.A700.S11
B Cable 	FG13-LH12.B700.S11	FG13-LH15.B700.S11

Other handle lengths on request



Technical data

Typ	FG13-LH12	FG13-LH15
Emergency stop (2 NC contact)	without	
Push button 1 (1 NO contact)		
Push button 2 (1 NO contact)		
LED board		
Emergency stop	-	1-42 V AC/DC 100 mA
Push button		24 V AC/DC max. 1 A
Operating voltage LED		24 V DC (12 V DC optional)
Connection type		12-pole M12x1
Connector assignment (Plug side view)		
Mounting cutout		

Handle accessories



10 m cable welded to coupling

Order no.

Order no.

12-pole (M12 x 1)

FZ-KS.G12.10

FZ-KS.W12.10

All dimensions in mm.