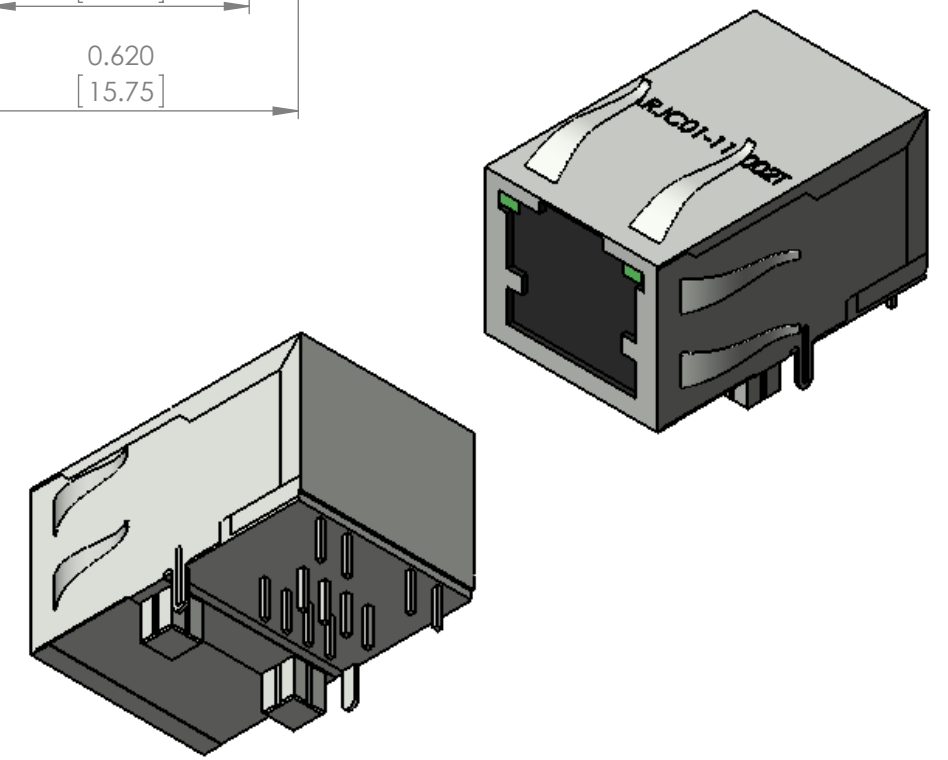
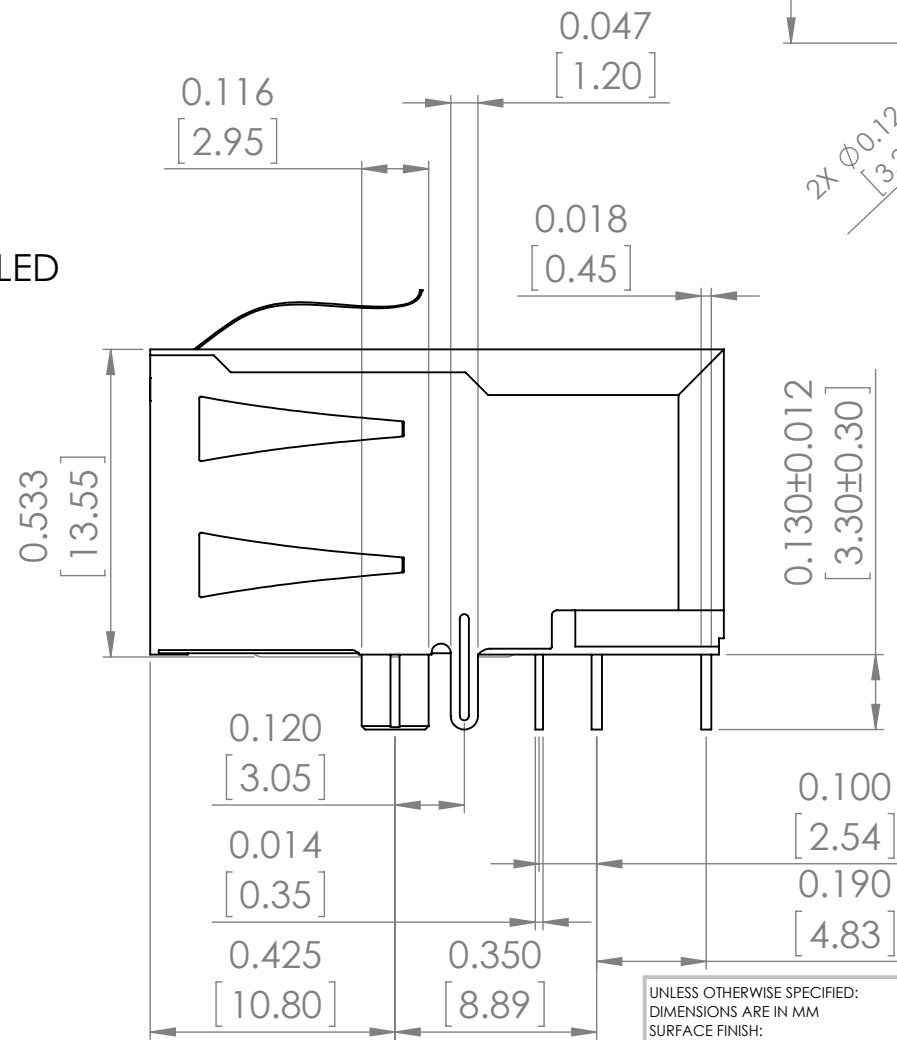
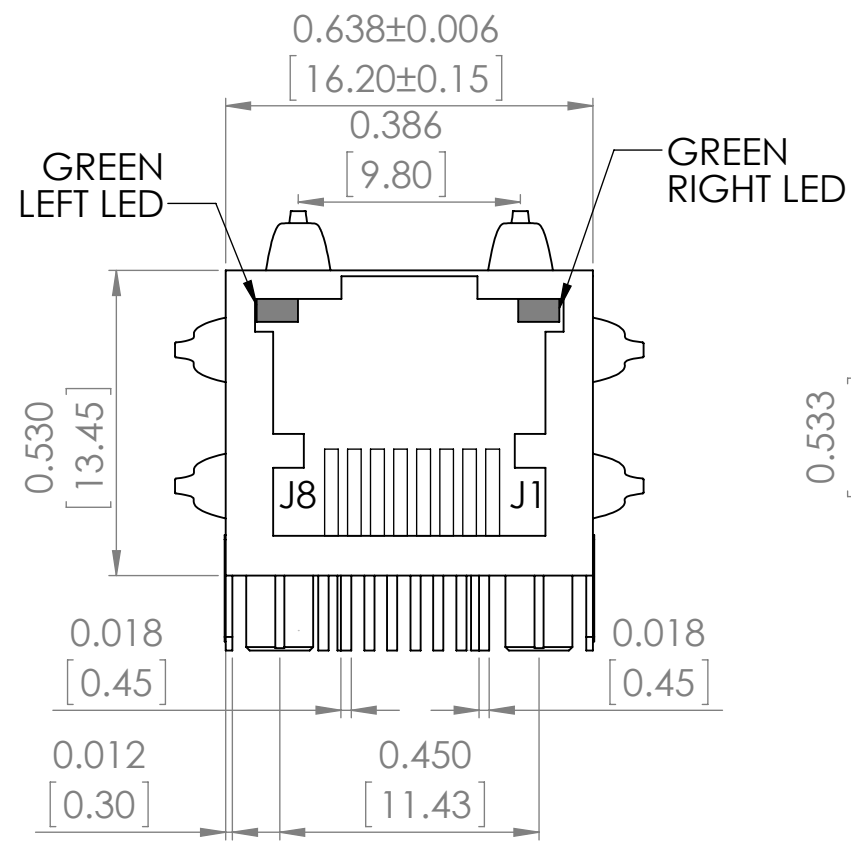
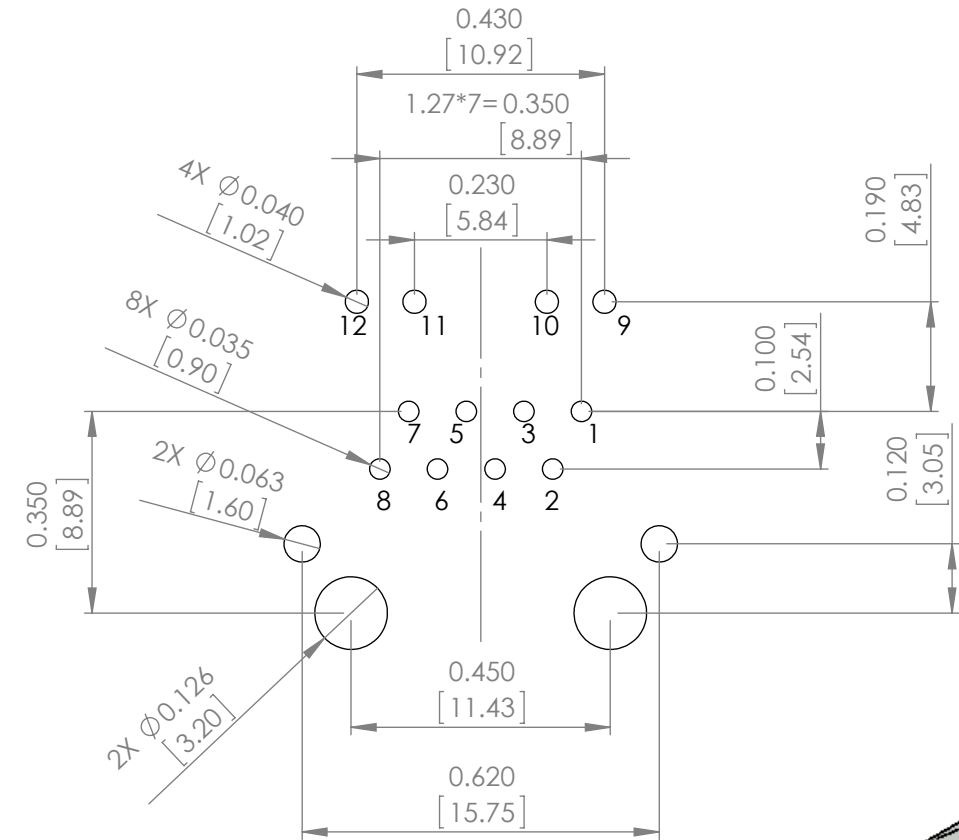
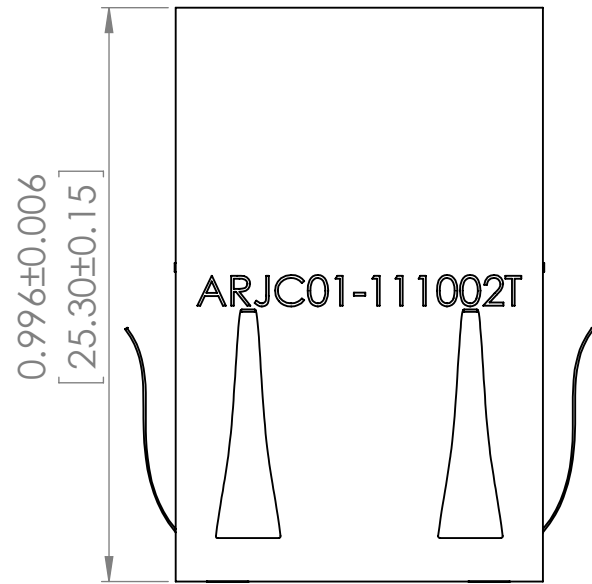



### Recommended Land Pattern



UNLESS OTHERWISE SPECIFIED: DIMENSIONS ARE IN MM SURFACE FINISH: TOLERANCES: LINEAR: ANGULAR:				FINISH:	DEBUR AND BREAK SHARP EDGES	DO NOT SCALE DRAWING	REVISION
NAME	SIGNATURE	DATE				 30332 Esperanza, Rancho Santa margarita, California 92688	
DRAWN	SAZVAT					TITLE: RJ45	
CHK'D	XXXXXX					DWG NO. ARJC01-111002T	
APPV'D						SCALE:3:1	
MFG						SHEET 1 OF 1	
Q.A						A3	
				WEIGHT:			