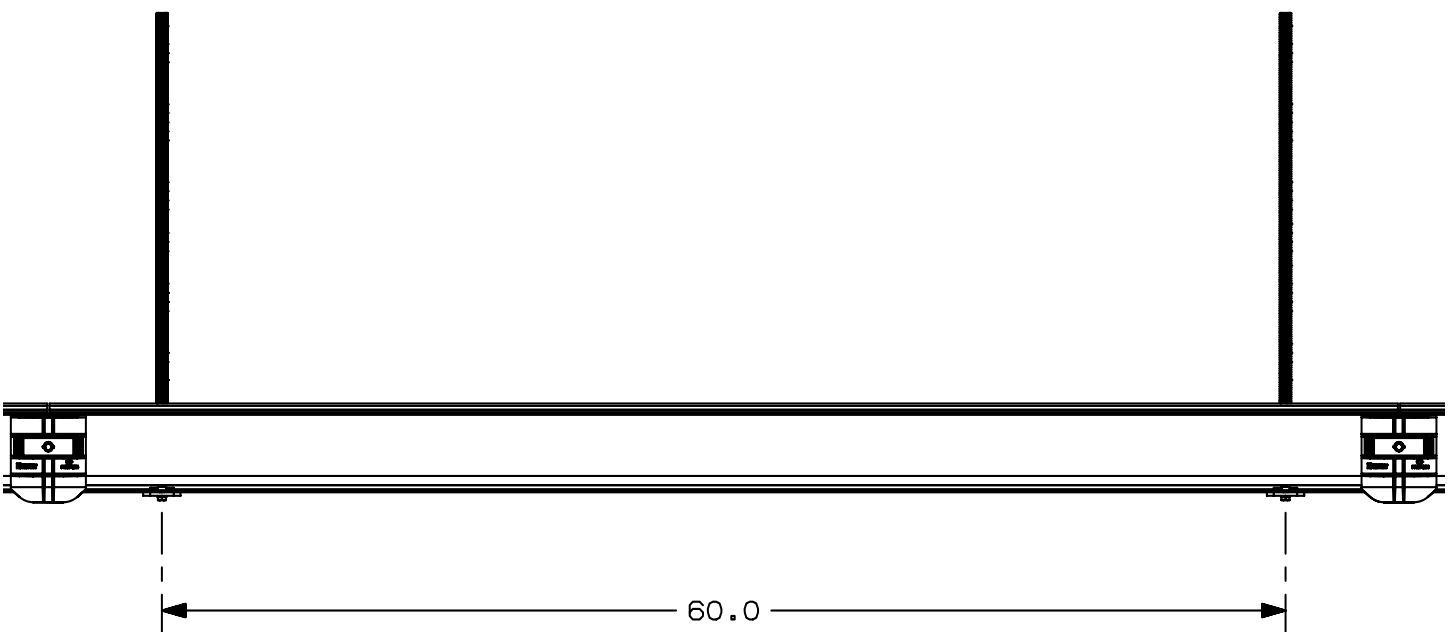
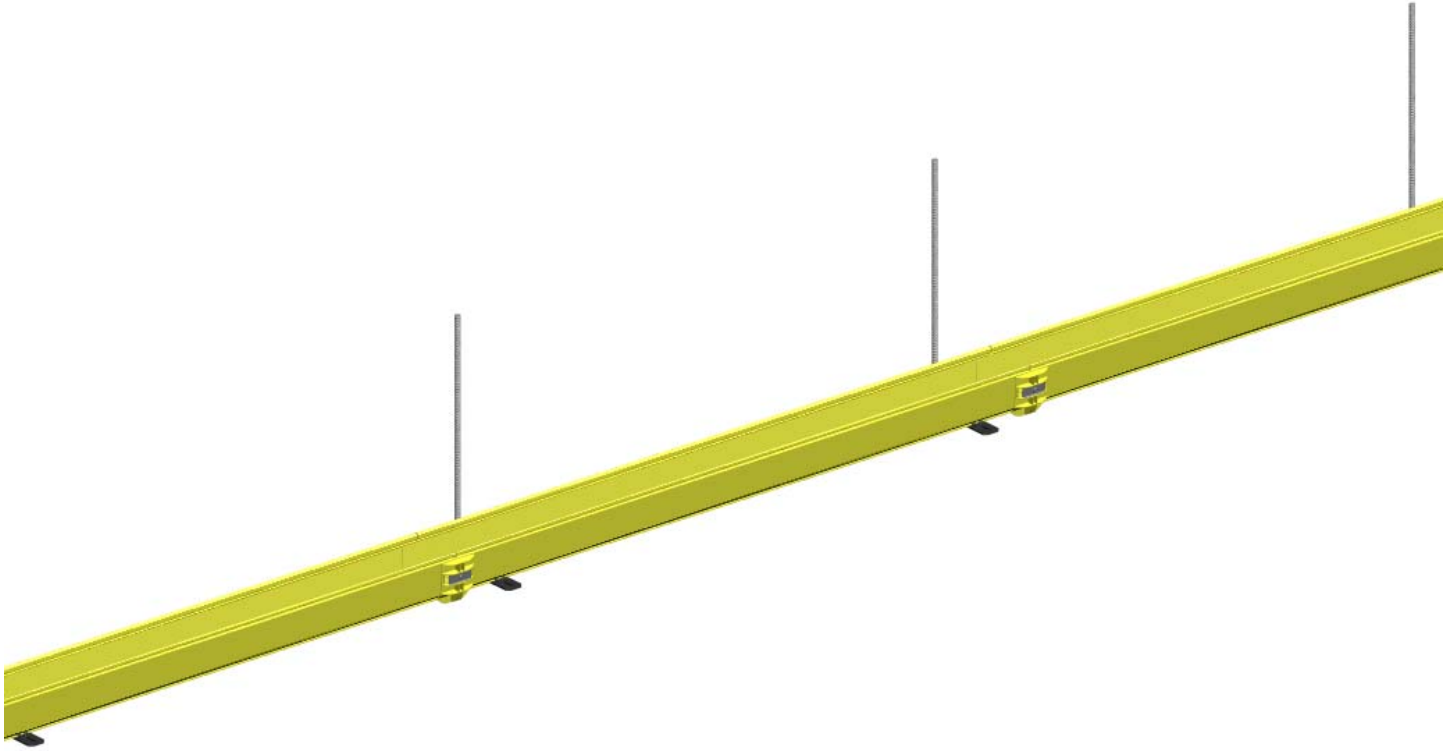


## 1. System Support Specifications

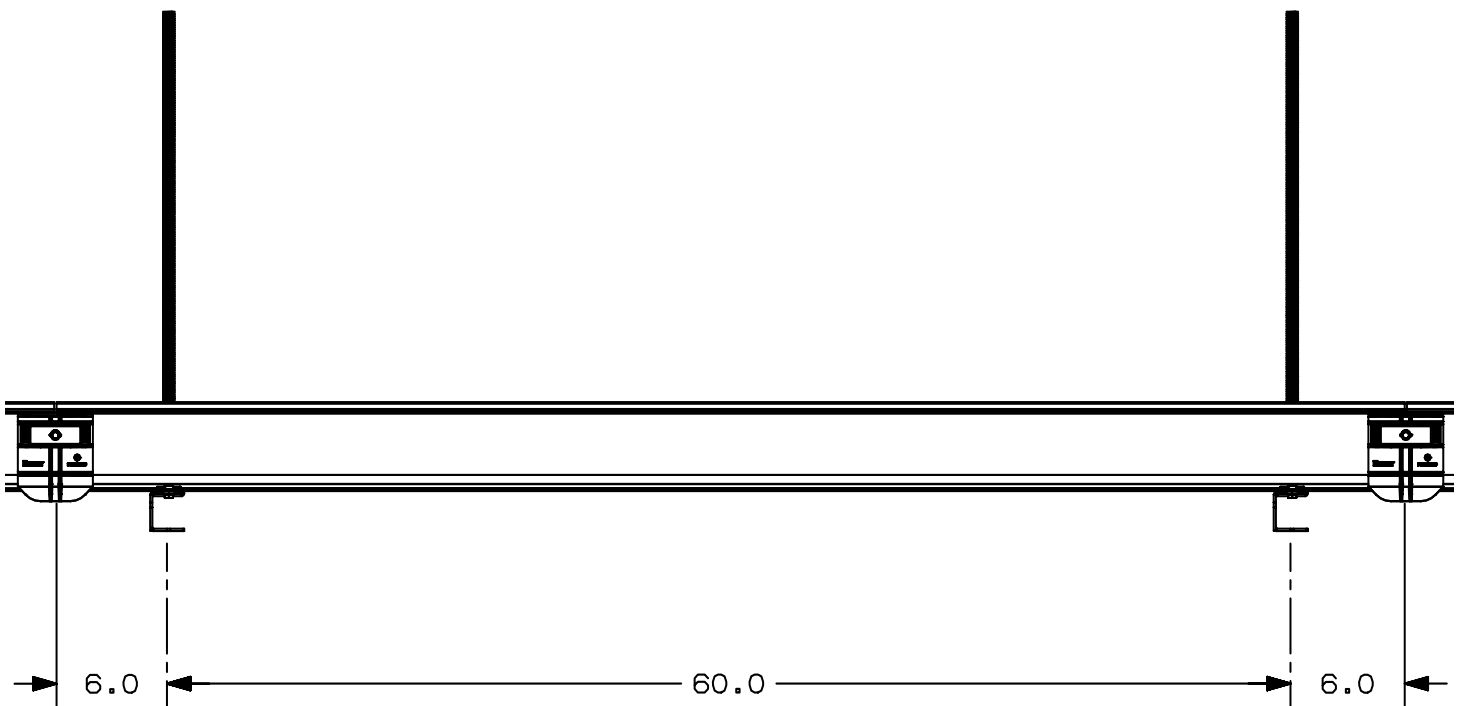
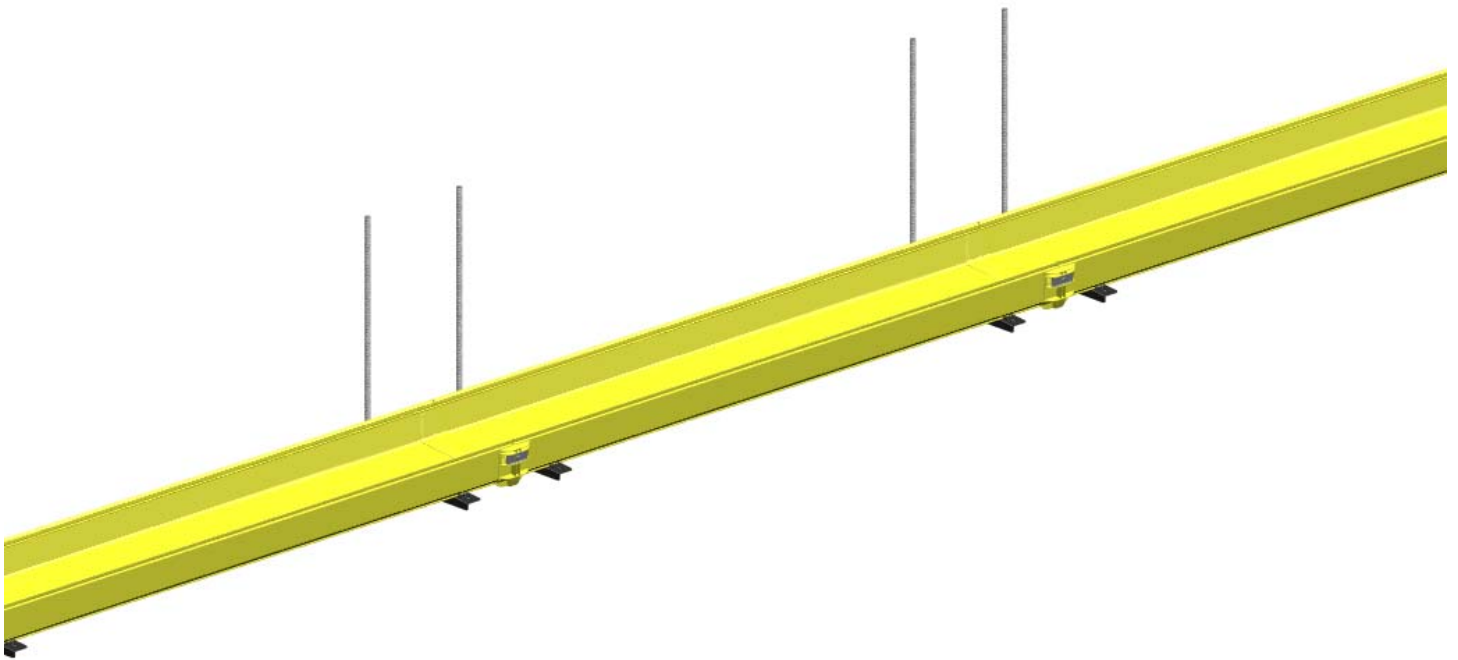
### 1.1 Supporting FIBERRUNNER 4x4 and 6x4 Cable Routing System Channel-to-Channel Installations

The FIBERRUNNER 4x4 and 6x4 Cable Routing Systems have been designed to be self-supporting at distances up to 5' (60") in channel-to-channel installations.



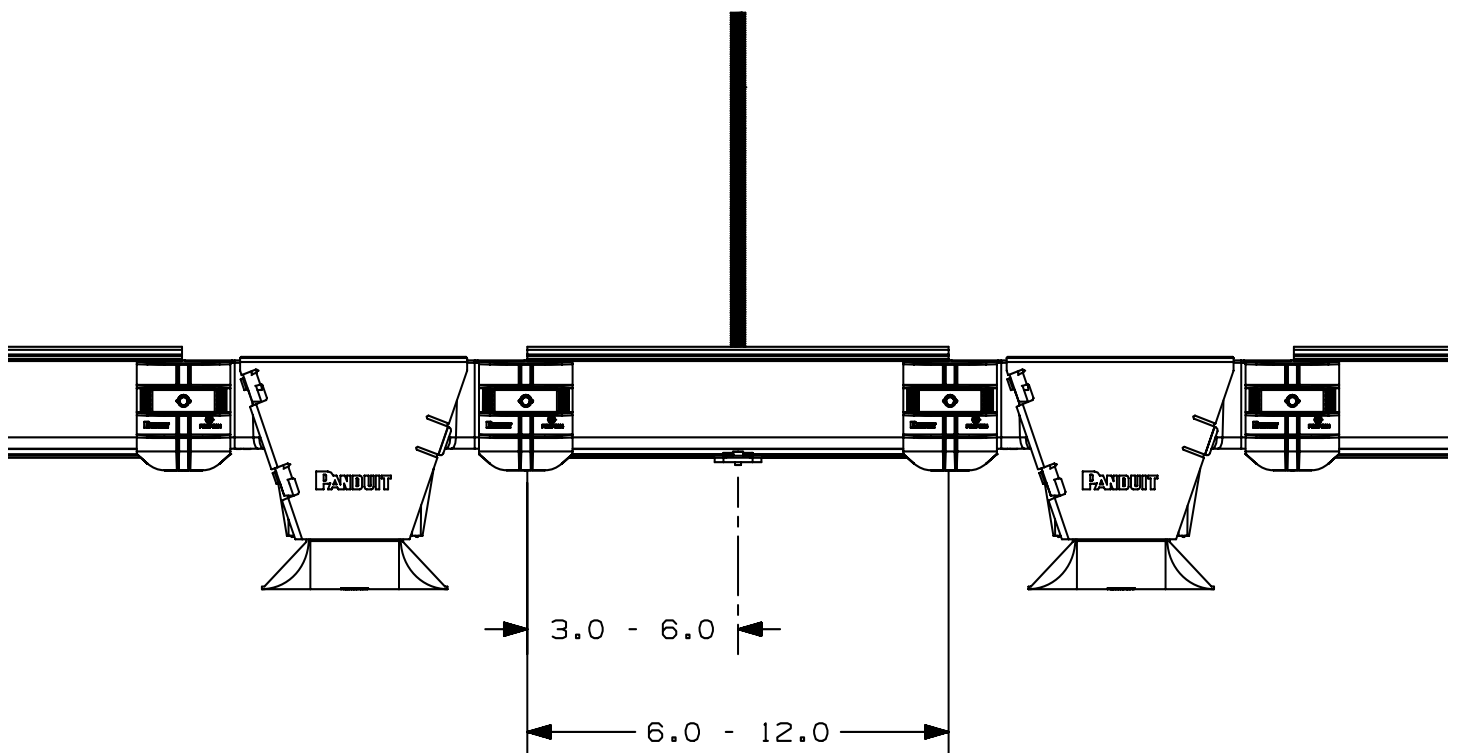
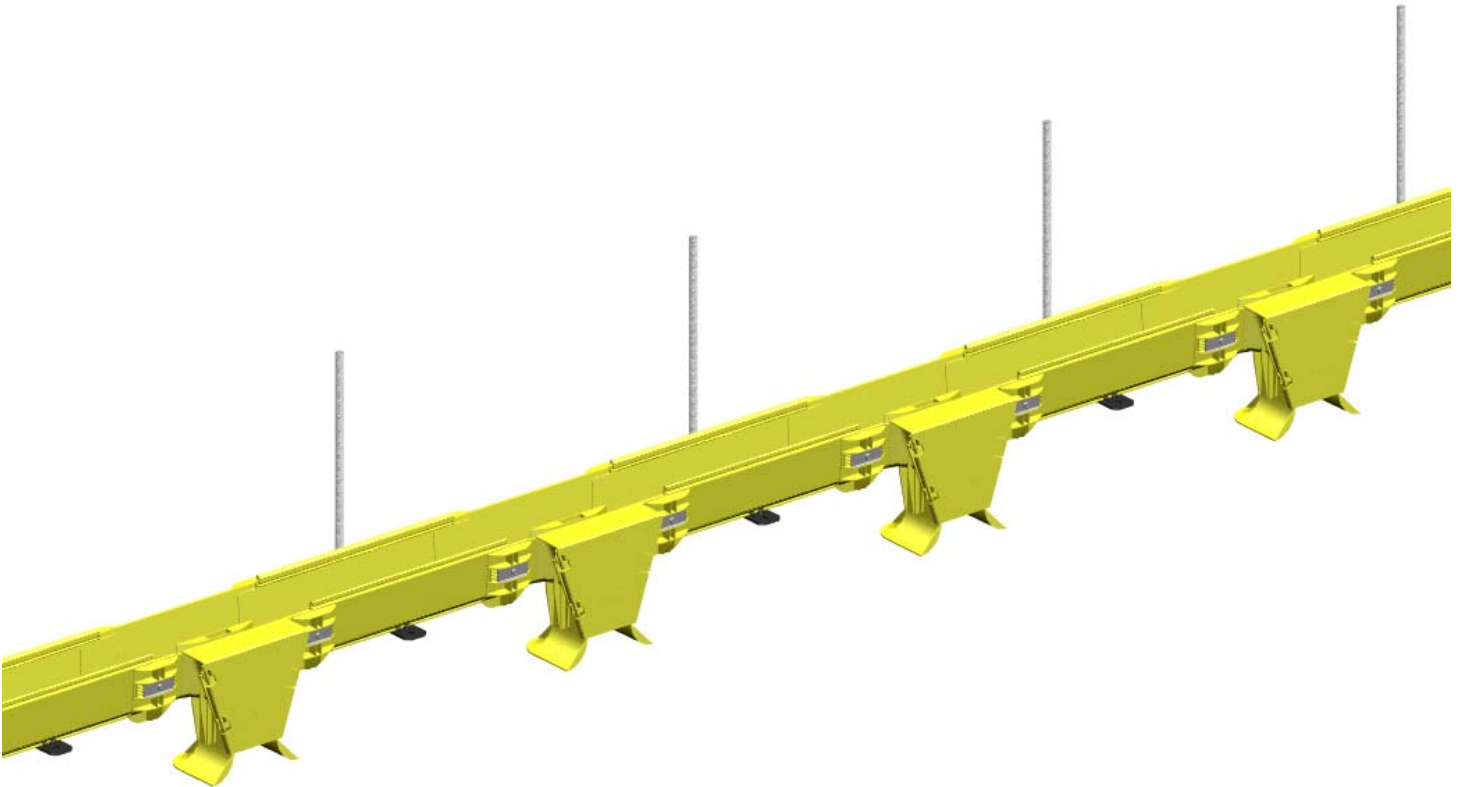
1.2 Supporting FIBERRUNNER 12x4 Cable Routing System Channel-to-Channel Installations

The FIBERRUNNER 12x4 Cable Routing System has been designed to be self-supporting at distances up to 5' (60") in channel-to-channel installations. To ensure the integrity of the FIBERRUNNER 12x4 Channel, FIBERRUNNER QUIKLOCK Mounting Brackets should be positioned as shown wherever possible.



1.3 Supporting Channel-to-Fitting Installations

Once FIBERRUNNER Cable Routing System fittings are introduced to the fiber pathway, the need for additional FIBERRUNNER Mounting Brackets will be required. With channel sections between 6" – 12" a single FIBERRUNNER Mounting Bracket centered on the channel section will provide adequate support for the fiber pathway.



With channel sections over 12" between fittings the placement of a *FIBERRUNNER* Mounting Bracket should be installed 6" from each end of the channel section and at intervals deemed necessary to ensure the integrity of the fiber pathway.

