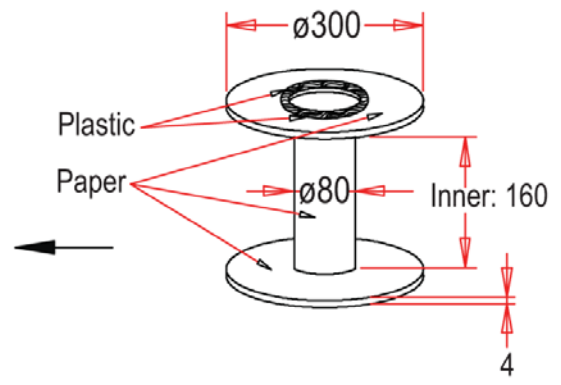
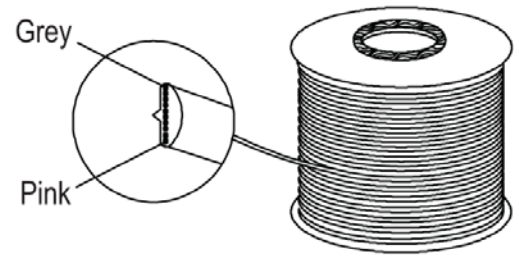


**Sec: A - A**



**1,000Ft/R. "PE" Foam Wrapped**

Unit: MM



Scale	1:1						Name
TOLERANCE						Drawn	12.19.11
X.X	±0.40					Approved	Chappell
X.XX	±0.25						
X.XXX	±0.15						
Angle	±3°						
Modification				Date	Name		

Item No.	<b>AT-K-26-10-B/1000</b>
Title	Modular Straight cable - Raw, 10 Contact, 26AWG, Black, 1,000Ft.
Drawing No.	
Replace	rev00
Sheet	