

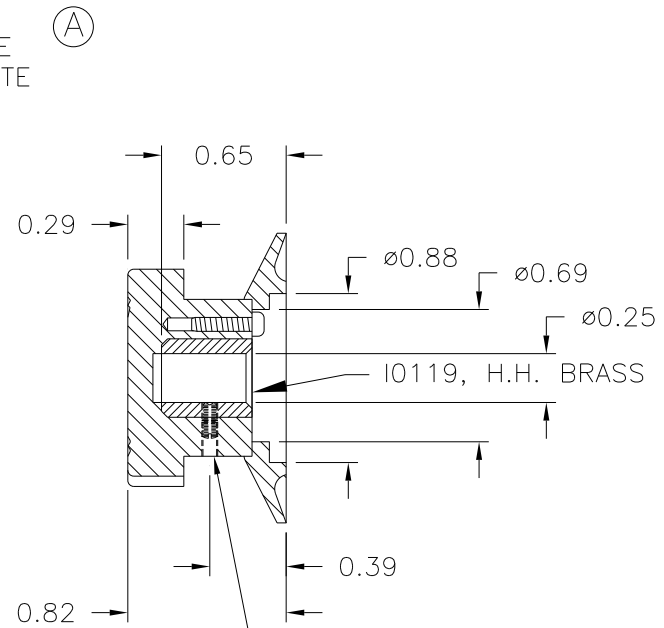
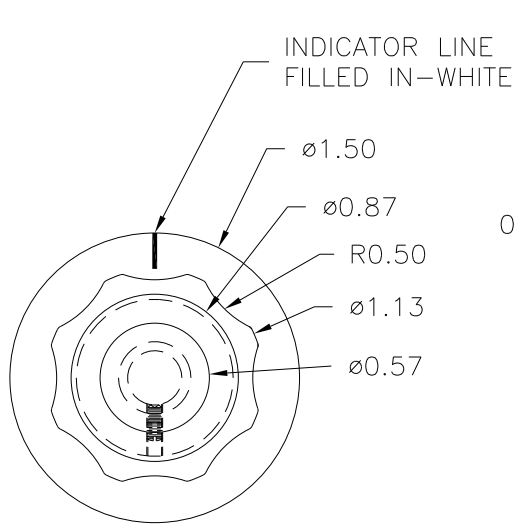
PART NAME: KNOB+SKIRT ASSEMBLY | SCALE: 1:1 | DATE: 1/14/2000 | DR. BY ST

DAVIES MOLDING COMPANY, LLC.
CAROL STREAM, ILLINOIS 60188

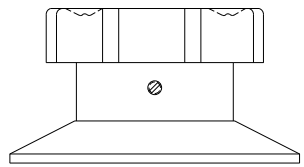
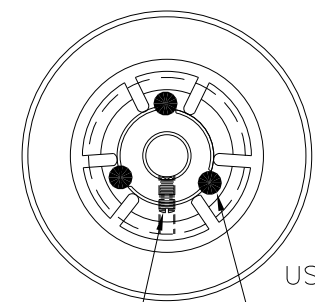
| | |
|------------|---------|
| P/N 4104CB | |
| BASE PART | 4100-01 |
| SKIRT | 4110-AQ |
| SCREWS | I0375 |
| SET SCREW | I0328 |

THIS DRAWING IS THE PROPERTY OF DAVIES MOLDING COMPANY, IS SUBMITTED SOLELY AS A DESIGN OR ENGINEERING PROJECT. WE ACCEPT NO RESPONSIBILITY WHATSOEVER FOR THE PRACTICAL APPLICATION OF THE PIECES MADE TO THIS DESIGN.

(A)



#8-32 UNC-2 THREADED,
SLOTTED SET SCREW I0328



MATERIAL: G.P. PHENOLIC (B11)
COLOR: BLACK

| | | | | | |
|---|----------------------------------|---------|--------------------------------|-----|-----------|
| TOLERANCES: UNLESS OTHERWISE SPECIFIED | DO NOT SCALE DRAWING | B | WAS #50 | JAM | 2/5/14 |
| | | - | UPDATED TOOLBOX | JAM | 2/19/03 |
| DECIMALS: X.XXX ± .005 X.XX ± .015 | MM: X.XX ± 0.15MM X.X ± 0.4MM | A | -FILLED IN-WHITE. -WAS 4110 | ST | 5/11/2000 |
| | | - | ORIGINAL DRAWN BY | TL | 4/13/99 |
| FRACTIONS ± 1/64 | ANG. ± 1° | CHANGES | | | |