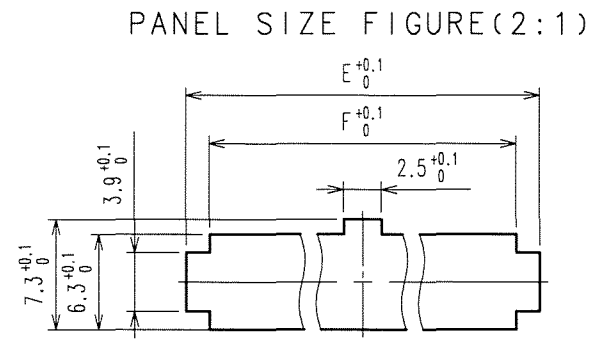
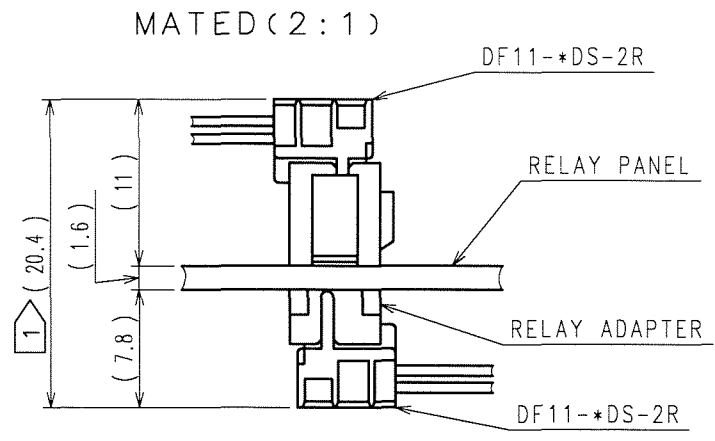
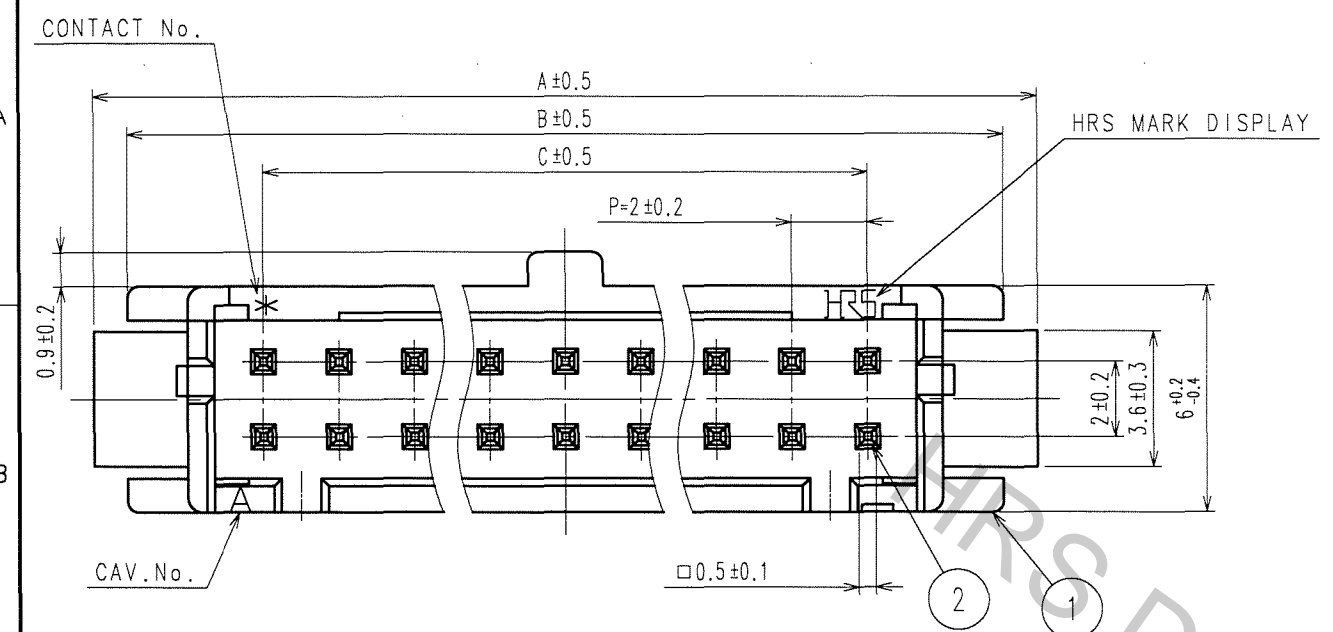
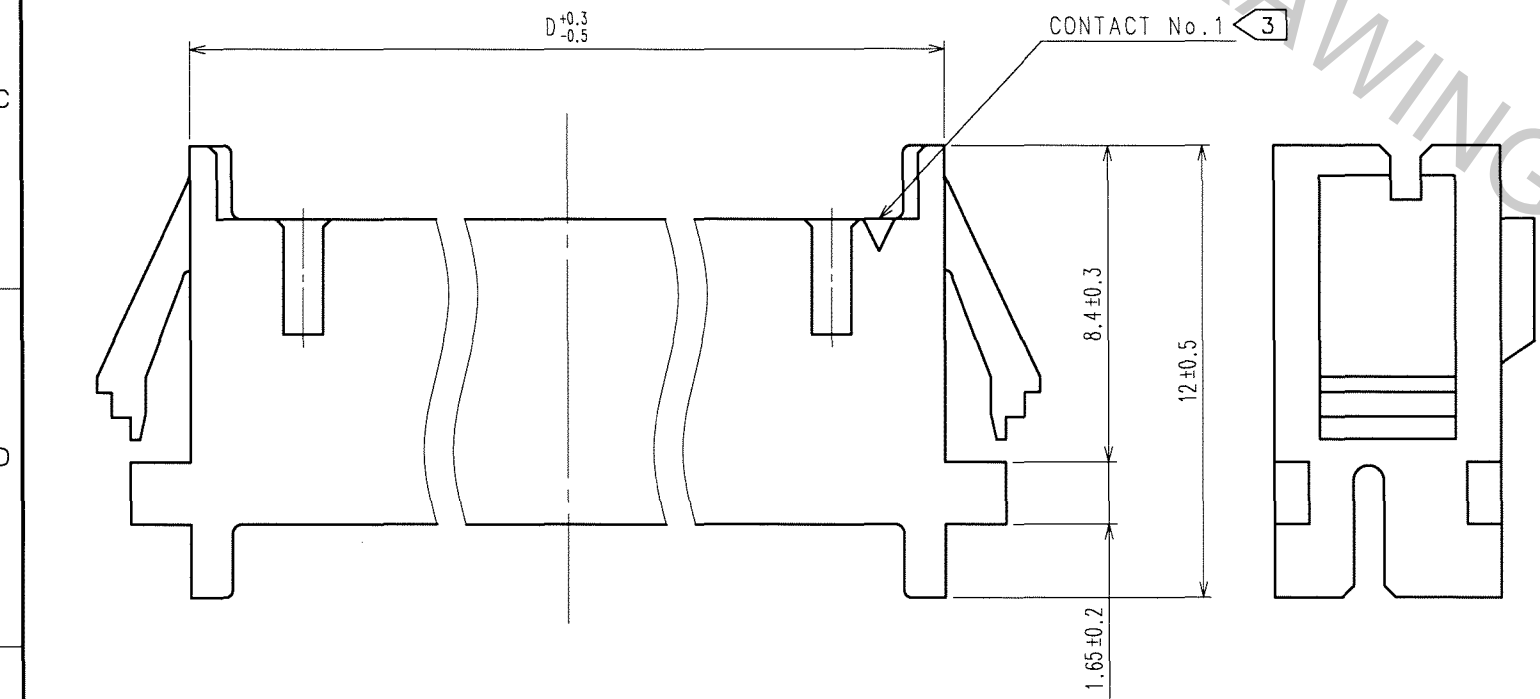


Apr.1.2017 Copyright 2017 HIROSE ELECTRIC CO., LTD. All Rights Reserved.

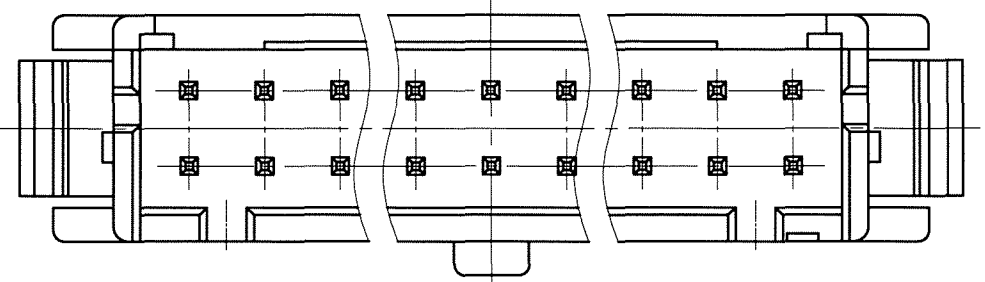
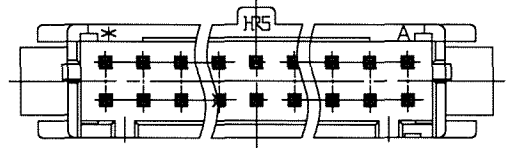
COUNT	DESCRIPTION OF REVISIONS	BY	CHKD	DATE	COUNT	DESCRIPTION OF REVISIONS	BY	CHKD	DATE
△					△				
△					△				
△					△				



PART No.	CODE No.	A	B	C	D	E	F
DF11- 4DEP-2A	CL543-0698-1-00	11.0	9.2	2.0	6.0	9.4	6.3
DF11- 6DEP-2A	CL543-0699-4-00	13.0	11.2	4.0	8.0	11.4	8.3
DF11- 8DEP-2A	CL543-0700-1-00	15.0	13.2	6.0	10.0	13.4	10.3
DF11-10DEP-2A	CL543-0701-4-00	17.0	15.2	8.0	12.0	15.4	12.3
DF11-12DEP-2A	CL543-0702-7-00	19.0	17.2	10.0	14.0	17.4	14.3
DF11-14DEP-2A	CL543-0703-0-00	21.0	19.2	12.0	16.0	19.4	16.3
DF11-16DEP-2A	CL543-0704-2-00	23.0	21.2	14.0	18.0	21.4	18.3
DF11-18DEP-2A	CL543-0705-5-00	25.0	23.2	16.0	20.0	23.4	20.3
DF11-20DEP-2A	CL543-0706-8-00	27.0	25.2	18.0	22.0	25.4	22.3
DF11-22DEP-2A	CL543-0707-6-00	29.0	27.2	20.0	24.0	27.4	24.3
DF11-24DEP-2A	CL543-0708-3-00	31.0	29.2	22.0	26.0	29.4	26.3
DF11-26DEP-2A	CL543-0709-6-00	33.0	31.2	24.0	28.0	31.4	28.3
DF11-28DEP-2A	CL543-0710-5-00	35.0	33.2	26.0	30.0	33.4	30.3
DF11-30DEP-2A	CL543-0711-8-00	37.0	35.2	28.0	32.0	35.4	32.3
DF11-32DEP-2A	CL543-0712-0-00	39.0	37.2	30.0	34.0	37.4	34.3



- NOTES: ① IN COMBINATION WITH DF11-*DS-2C, IT IS 16.9 mm.
 ② THE THICKNESS OF A CONFORMITY PANEL IS 1 mm TO 1.6 mm. (SHAKINESS OF SOME ARISES EXCEPT 1.2 mm OR 1.6 mm.)
 ③ TERMINAL NO.1 TO THE SOCKET WHICH MATED IS EXPRESSED. KEEP IN MIND THAT THE CIRCUIT AT THE TIME OF CARRYING OUT SOCKET MATED BECOMES BOTH SIDES WITH TERMINAL NO.1 OF A SOCKET 1, AND CONNECTION OF A SOCKET 2 OF TERMINAL NO.2.
 ④ THE POSITION OF HRS MARK AND CAV. MARK ALSO HAS THE CASE OF THE FOLLOWING FIGURE.



1	POLYAMIDE	UL94V-0, BLACK	2	BRASS	SURFACE: TIN PLATED 1μm min UNDER PLATING: NICKEL PLATED 0.5μm min
NO.	MATERIAL	FINISH, REMARKS	NO.	MATERIAL	FINISH, REMARKS
CODE NO. (OLD)			DRAWN	DESIGNED	CHECKED
			A.Miura	N. Hirose	H. Umehara
			'06.10.03	'06.10.03	'06.10.03
DRAWING NO.			PART NO.		
EDC3-313906-00			DF11-*DEP-2A		
UNITS			CODE NO.		
mm			CL543-		

TO