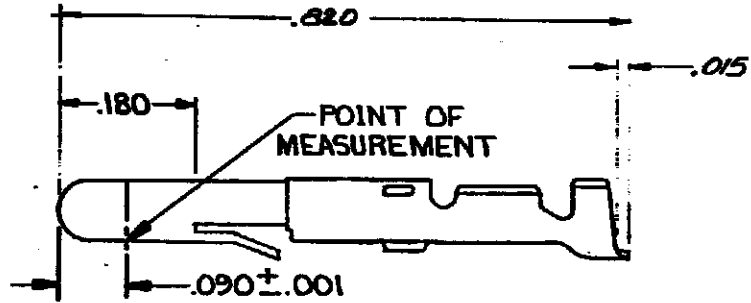


PART NO. 61174



1. FOR ADDITIONAL INFORMATION SEE DWG. 350079.
 2. THIS TERMINAL TO BE SUPPLIED IN INDIVIDUAL FORM, NOT AS CONTINUOUS STRIP.
- Ⓜ .000030 GOLD INSIDE WIRE BARREL + ON TIP OF PIN; REMAINDER OF CONTACT IS NICKEL PLATED.

PART NO.	WIRE SIZE	INSULATION RANGE	MATERIAL & FINISH
61174-1	#30-#22	.040-.075 or (2) .040 MAX	.012 BRASS TIN
61174-5	#30-#22	.040-.075 or (2) .040 MAX	.012 BRASS GOLD Ⓜ

DIMENSIONS IN INCHES. DO NOT SCALE PRINT.

© 1967 BY AMP INCORPORATED. ALL RIGHTS RESERVED. AMP PRODUCTS COVERED BY PATENTS AND/OR PATENTS PENDING.					CUSTOMER COPY REFERENCE ONLY	
MATERIAL AND FINISH SEE TABLE					AMP INCORPORATED MARRIAGEBURG, PENNSA	
WIRE — RANGE — INSULATION SEE TABLE SEE TABLE					TYPE ————— X —————	
TOLERANCE EXCEPT AS NOTED ± 0.15 ± 1" 0' 4X1					LOC. A	NO. 61174
LTR. REVISION RECORD DR CHK DATE					NAME: LOOSE PIECE MATE-N-LOK PIN	
DR. J.R. KUNKLE DE. 7/16/67					RFV. H	