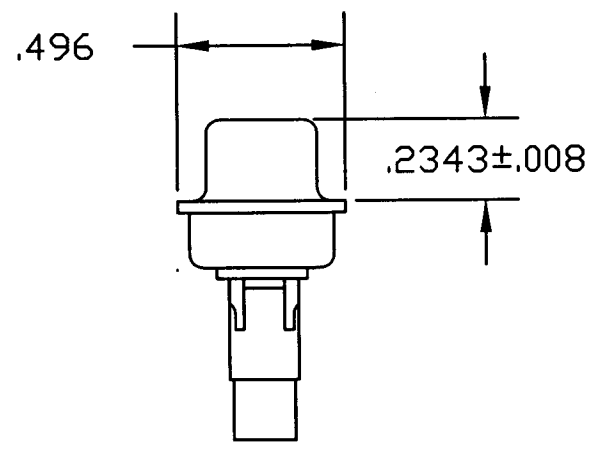
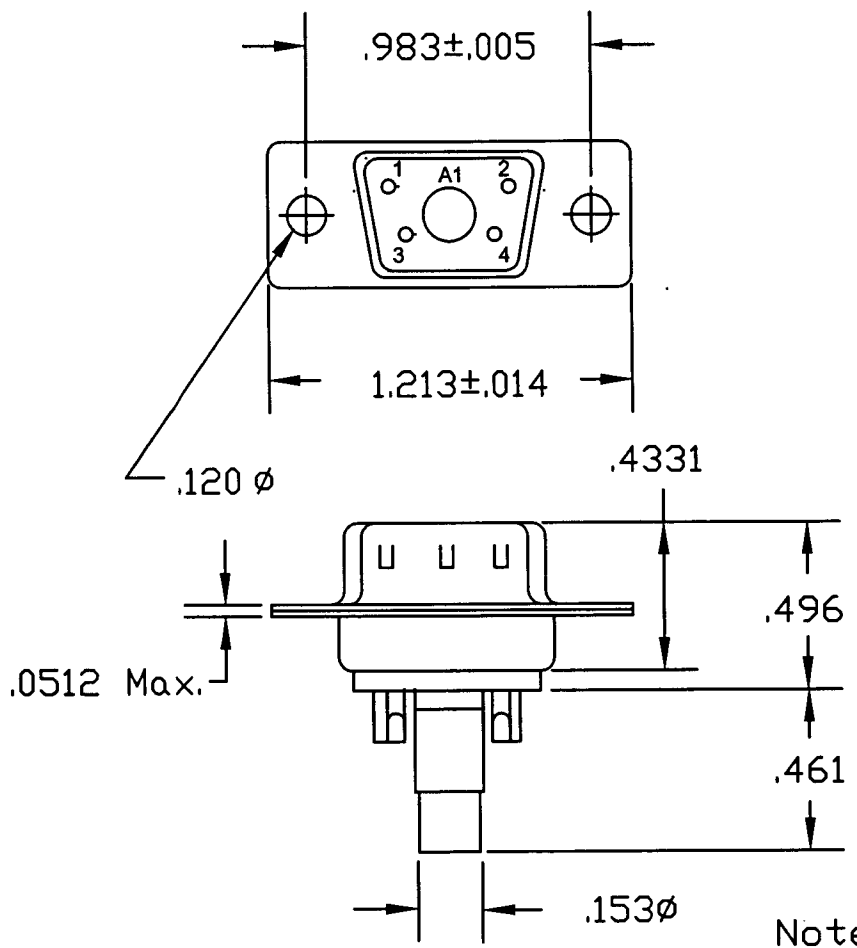



DESCRIPTION: 5W1 Male Connector - 75 Ohm Contact

Specification:
 Shell: Steel, Tin Plated
 Insulator: PBT +30% Fibre-Glass,
 Black, UL 94V-0
 Contacts: Brass - Gold Flash
 Over Nickel

Current Rating: Signal - 5 Amps
 Coaxial Contact - 75 OHMS
 Contact Resistance: 15mOHMS MAX.
 Insulator Resistance: 1000 MOHMS MIN.
 Voltage: 500V AC for 1 minute
 Temperature: -50° C to +100°C



Note: Coaxial Contact must be ordered separately.
 75 OHM Coaxial Contact = Part Number 682-201-075-001

	THESE DRAWINGS AND SPECIFICATIONS ARE THE PROPERTY OF NorComp AND SHALL NOT BE REPRODUCED, COPIED OR USED AS THE BASIS FOR THE MANUFACTURE OF APPARATUS WITHOUT WRITTEN PERMISSION.		DRAWN: PAM JENKINS	DATE: 3-30-01
			CHECKED:	DATE:
<h1>NorComp</h1>		SCALE:	SHEET 1 OF 1	REV 1
		DWG NO. 682-5W1-102-001		