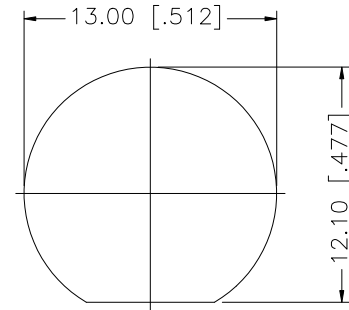
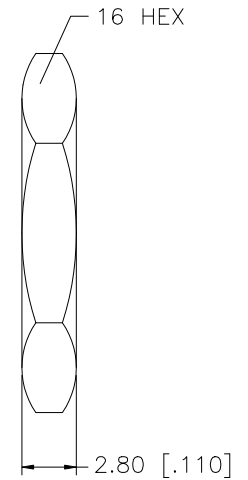
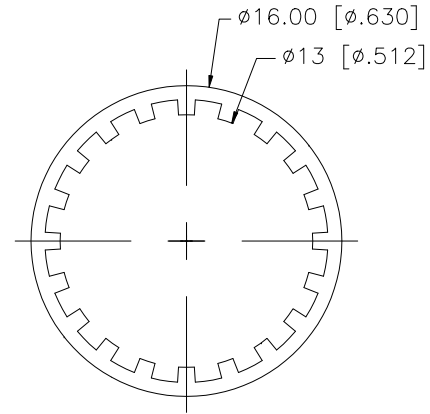
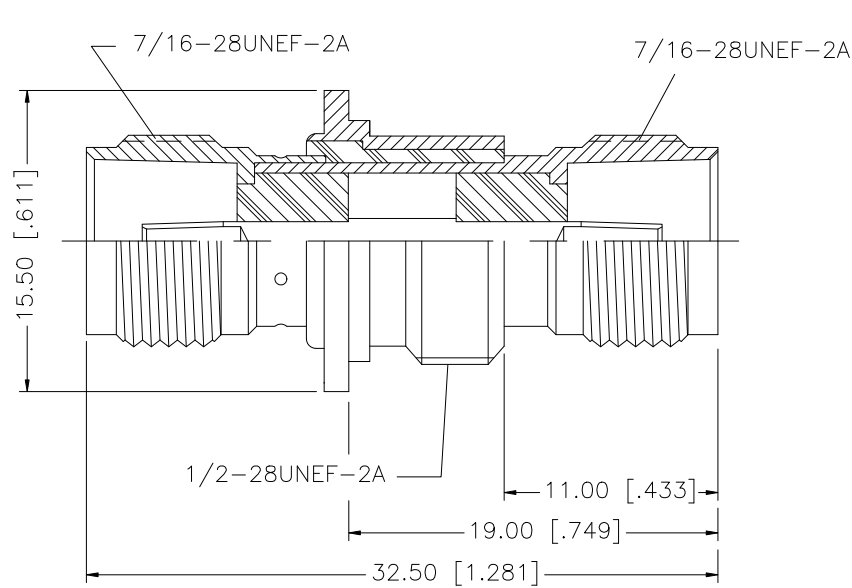


REV.	DATE	DESCRIPTION
NC	10/27/07	INITIAL RELEASE



RECOMMENDED
MOUNTING HOLE

DESCRIPTION	MATERIAL	FINISH	QTY
8			
7			
6	HEX NUT	BRASS	NICKEL 1
5	LOCK WASHER	BRASS	NICKEL 1
4	INSULATOR	DELTRIN	NATURAL 1
3	CONTACT PIN	PHOS. BRONZE	GOLD 1
2	INSULATOR	DELTRIN	NATURAL 2
1	BODY	BRASS	NICKEL 1

UNLESS OTHERWISE SPECIFIED DIMENSIONS ARE IN MILLIMETERS. DIMENSIONS IN [] ARE IN INCHES AND FOR CUSTOMER REFERENCE ONLY.

UNLESS OTHERWISE SPECIFIED TOLERANCES FOR MILLIMETERS ARE:
0.5 - 8mm ± 0.20mm
8 - 30mm ± 0.40mm
30 - 120mm ± 0.50mm

UNLESS OTHERWISE SPECIFIED TOLERANCES FOR INCHES ARE:
.020 - .315 = ± 0.007"
.315 - 1.180 = ± 0.015"
1.180 - 4.724 = ± 0.020"

DO NOT SCALE DRAWING

APPROVALS	DATE
DRAWN G.R.S.	10/27/07
CHECKED	
ISSUED	
SHEET 1 OF 1	
CAD FILE	C:/122/122347.DWG

Amphenol Connex			
PART DESCRIPTION TNC FEMALE TO FEMALE BULKHEAD ISOLATED ADAPTER - 75ohms			
PART NO. 122347			
DWG. NO.	122347.DWG	REV.	NC
SIZE	A	SCALE	NA