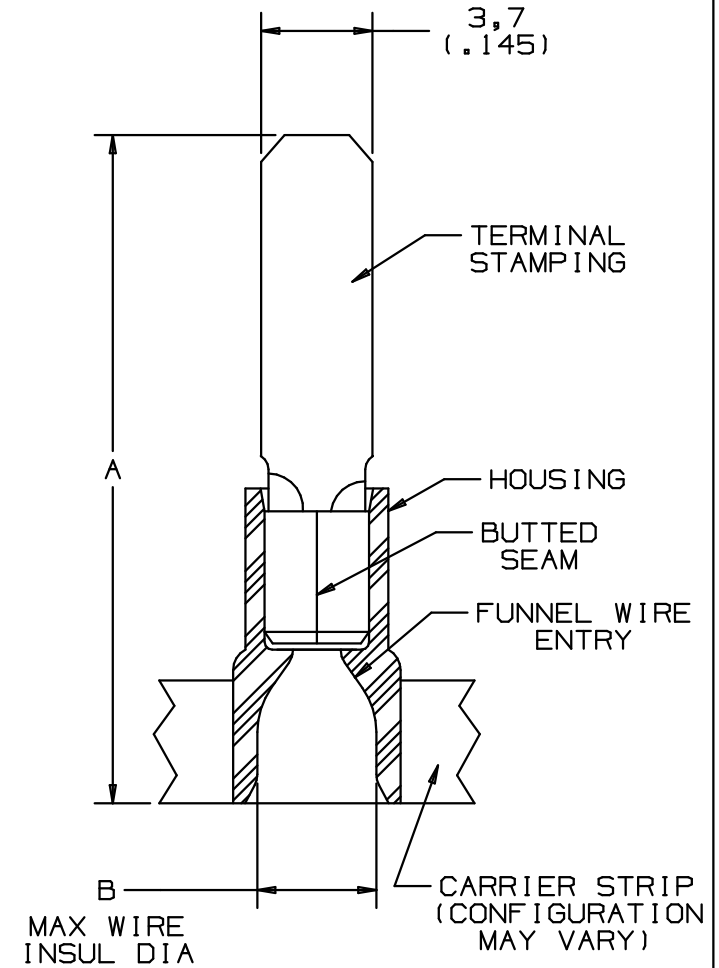


PART NUMBER		TAB SIZE	WIRE RANGE mm ² (AWG)	DIMENSIONS mm		HOUSING COLOR
PREFIX	PK			A ± .8 (.03)	B MAX	
DMV1-37MB	-3K	3,7 X 0,8 (.145 X .032)	,5-1,5 (22-18)	22,9 (.90)	3,94 (.155)	RED
DMV2-37MB	-3K	3,7 X 0,8 (.145 X .032)	1,5-2,5 (16-14)	22,9 (.90)	4,45 (.175)	BLUE

NOTES:

- USED FOR:
 - A. 600V MAX. VOLTAGE RATING.
 - B. 90° C (194° F) MAX. TEMP. RATING.
 - C. STRANDED COPPER WIRE ONLY.
- PACKAGE QTY: -3K = 3000 PC. REEL
- MATERIAL:
 - A. STAMPING: 0,8 (.032) THICK ETP 110 COPPER, TIN PLATED.
 - B. HOUSING: VINYL
- WIRE STRIP LENGTH: 6,4 ^{+0,8}/₋₀ (1/4 ^{+1/32}/₋₀)
- DIMENSIONS IN BRACKETS ARE IN INCHES



A41622_01

		PANDUIT PRESS					
		CP-851 <i>DISCONTINUED</i>	CP-860 <i>DISCONTINUED</i>	CP-861	CP-862	CP-871 60HZ	CP-871/E 50HZ
APPLICATORS	CA-800		X	X			
	CA-800EZ	X				X	X
	CA9				X	X	X

PANDUIT

CORP. TINLEY PARK, ILLINOIS

01	3/06	DAW	DAW	ADDED PANDUIT PRESS & APPLICATOR CHART	TRO0083								
00	9/97	JKD	WJB	RELEASED	6192	LA	DBH						
REV	DATE	BY	CHK	DESCRIPTION	ECN #	CUST	PM	DRAWN BY	CHK'D	SCALE	DRAWING NO.		
								T SMA	RLS	NONE	A41622		

REELSMART™, TERMO™, METRIC VINYL BARREL INSUL, FUNNEL ENTRY, MALE BLADE ADAPTERS (3,7 X 0,8 TAB SIZE)